

Throw Quilt Hanger Mounting Instructions

You will need:



Iron



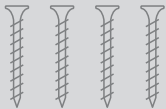
Tape Measure



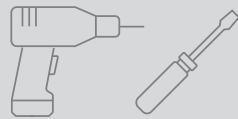
Pencil



Level



#8 Pan Head Screws (4)



Drill or Screwdriver



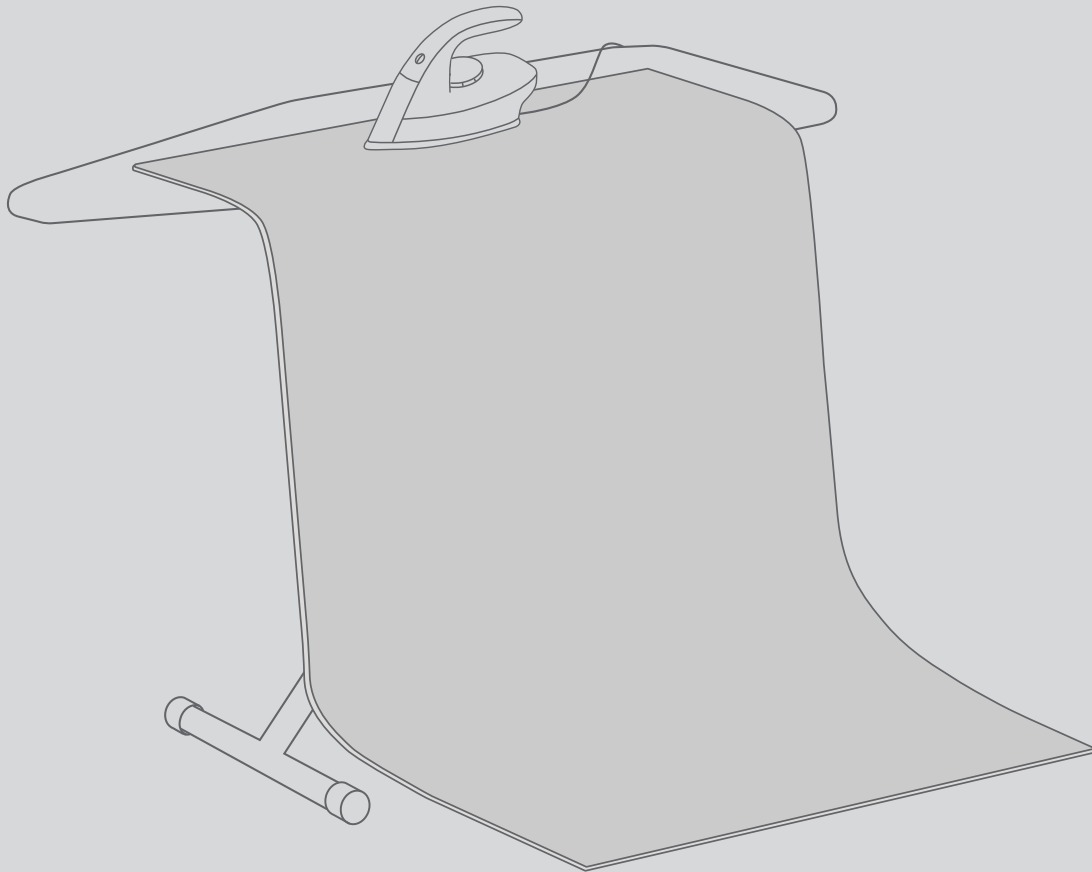
Wrench

1

Step 1

PREPARE QUILT

- Using an iron, press your throw quilt to remove any fold lines and/or wrinkles. NOTE: for optimal results, do not use a steamer.



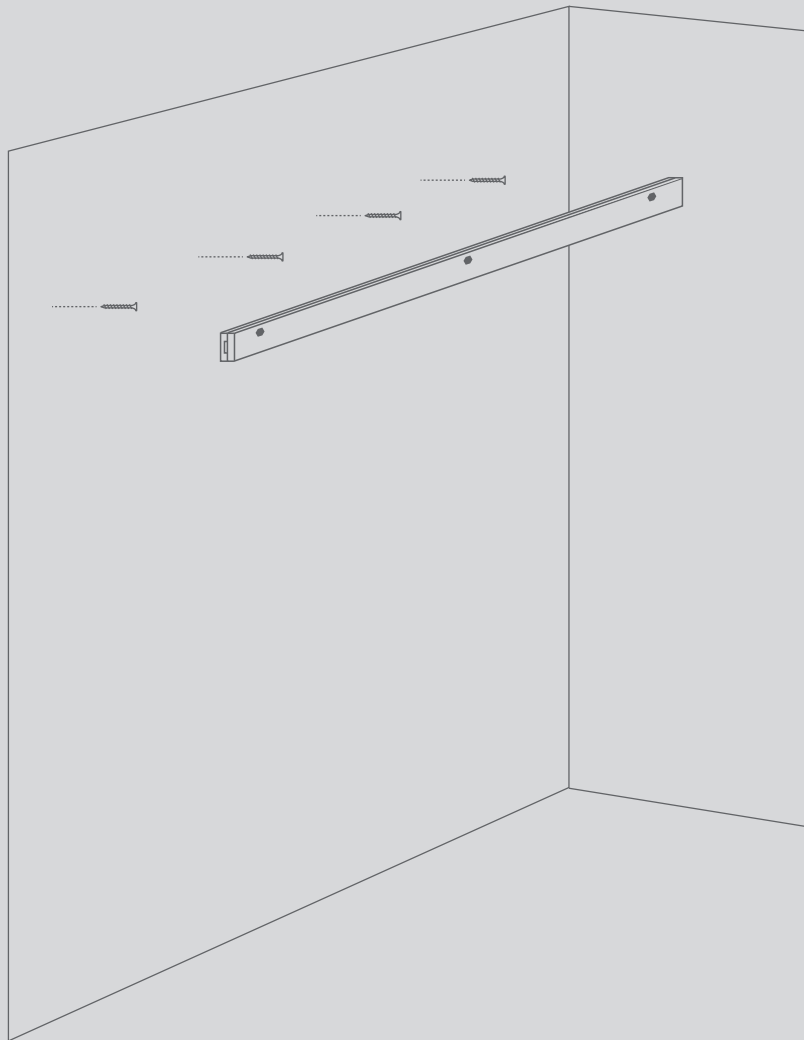
LOUISE GRAY

2

Step 2

PREPARE WALL

- Account for the height of your throw quilt (72" h) when determining the placement of your throw quilt hanger.
- Using a tape measure, pencil, level, and drill/screwdriver, place the 4 screws on the wall by referencing the keyholes on the backside of your throw quilt hanger. Note: screws should not be flush to wall, leave approximately a half inch to account for hanging.
- Confirm proper alignment by mouting your throw quilt hanger on the wall.



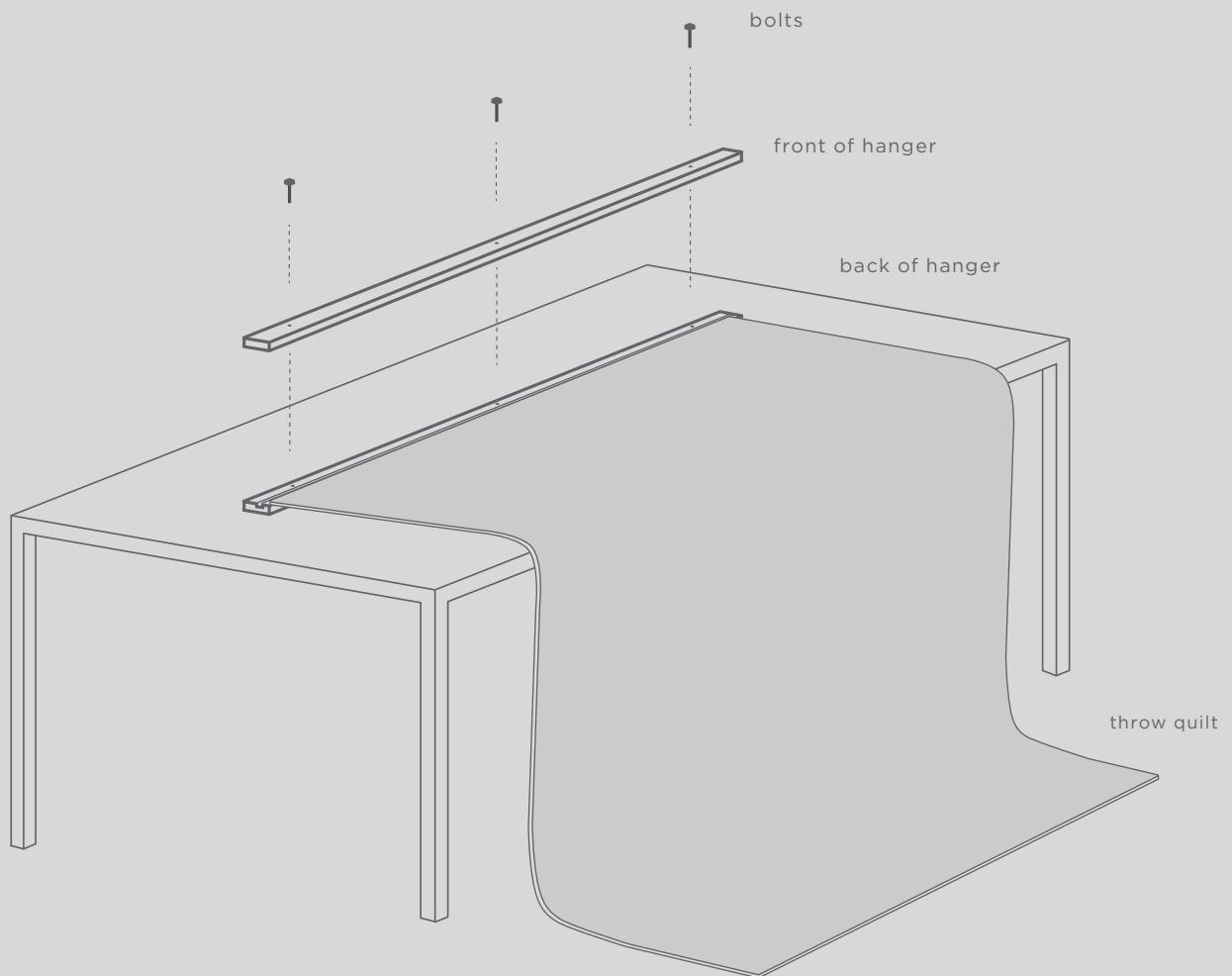
LOUISE GRAY

3

Step 3

SECURE QUILT

- Using a wrench (if necessary), remove bolts and lay the back piece of your throw quilt hanger on a flat surface.
- Lay the top edge of your throw quilt into the groove.
- Stack the front piece of your throw quilt hanger on top and re-attach bolts.



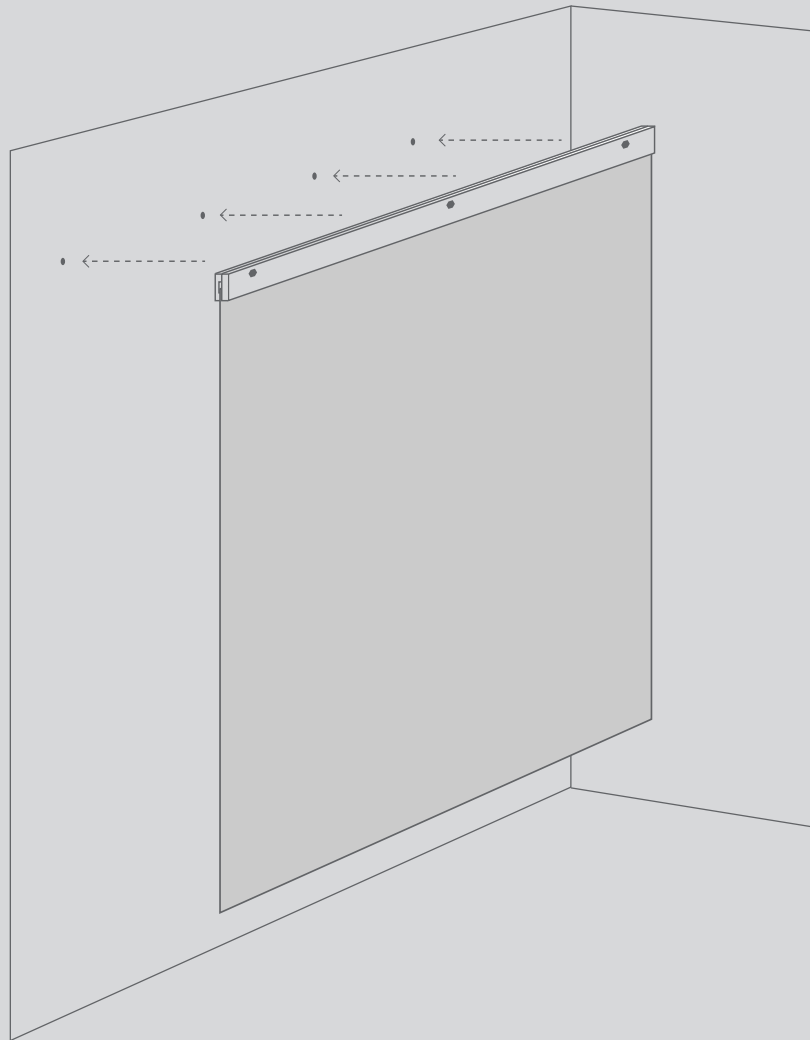
LOUISE GRAY

4

Step 4

MOUNT QUILT HANGER

- Your throw quilt is ready to hang!



In addition to being hung as a work of art, your throw quilt
can be taken down and enjoyed at any time!

(for laundering instructions please visit louisegray.com/support)

LOUISE GRAY

We're here to help should you
need any further assistance.



info@louisegray.com | 612.401.8668

LOUISE GRAY